

# 入牆水箱安裝說明書

## THE INSTALLING INSTRUCTION FOR CONCEALED TANK.

### ⚠ 重要提示:

1. 安裝前請仔細閱讀說明書，本公司不承擔因安裝人員未按說明書要求施工所造成的損失。產品中包含潤滑劑，安裝馬桶時選用。
2. 在安裝本產品前，請根據室內裝修的總體策劃確定完成後的地坪面FFL，并在安裝牆上劃出FFL綫，并始終以此作為高度0的基準綫。
3. 在安裝本產品前，請確認需要安裝的便器的結構及外形，圖1為參考結構。同時需實際測量便器與便器低部間的實際尺寸H，以利後續安裝使用。

注：1. 請在貼瓷磚前安裝本產品；所有的尺寸單位為毫米。

2. 圖示零件若與實物不符，請與實物為準。

3. 本說明書以後排式安裝為例。

⚠ FFL  $\overset{0}{\nabla}$  = 完成面地坪。

### ⚠ Important remind:

1. Please read through this Instructions carefully prior to installation, and our company shall not be responsible for any loss caused by not installing according with this Instructions. There are lubricants in production for toilet bowl installation.
2. Please confirm the FFL according to overall fitment arrangement indoor. Line out the FFL on the wall and always regard FFL as datum line of 0 height.
3. Please confirm the structure and shape before installing the toilet bowl. Meanwhile measure the exact size H between outfall and inflow of toilet bowl so as to serve in subsequent installation.

Note: 1. Please install the frame before paving the tiles. The dimensional unit is millimeter.

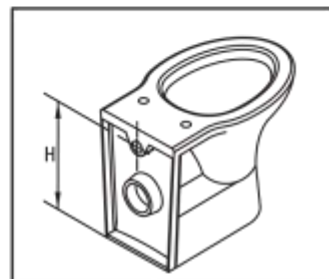
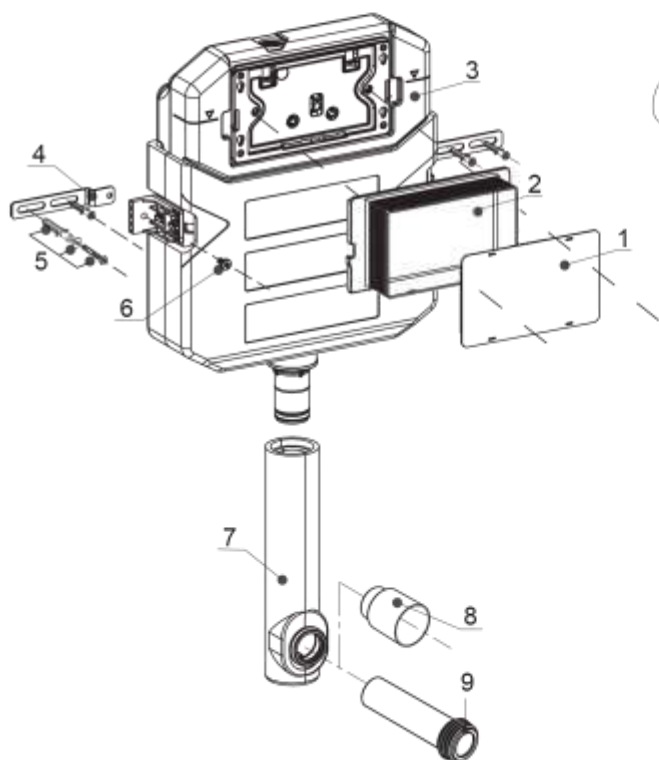
2. Please subject to the object as right if it is not in conformity with the components in picture.

3. Take backwards drain pattern ceramic as an example in this instruction.

⚠ FFL  $\overset{0}{\nabla}$  = FFL of finish face, all dimension is millimeter

### 配件一覽表:

### Accessories List:



序號 NO.	名稱 NAME	數量 QTY	用途 FUNCTION
1	膨脹螺栓組 Expansion bolt components	4	固定水箱組件 To fix the tank components
2	保護框 Protection frame	1	砌牆時為按鈕面板預留空間用 For space reservation of push button plate when building the wall
3	保護蓋 Protection cover	1	防止裝修時雜物進入水箱 To prevent sundries falling into the tank when fitting
4	緊固塊 Fixing sheet	2	調整及固定水箱組件 To adjust and fix the components of tank
5	螺釘 Screw	2	連接固定塊與水箱上的掛耳 To connect the fixing sheet and the side notching
6	衝刷彎管組件 Curved drain pipe components	1	連接水箱與便器 To connect tank and toilet bowl
7	衝刷直管組件 Flush straight pipe components	1	用于便器的連接及與牆面距離的補償 To connect the bended pipes to toilet bowl
8	水箱組件 Tank components		裝水及承載其它零部件 To load of water and the other accessories
9	堵頭 Plug	1	砌牆時為衝刷直管和排水直管預留空間用 To reserve space for straight pipes when laying bricks
10	角閥 Angle valve	1	進水閥開關 On-off For Filling Water

一、安裝方式策劃 Installation method:

1

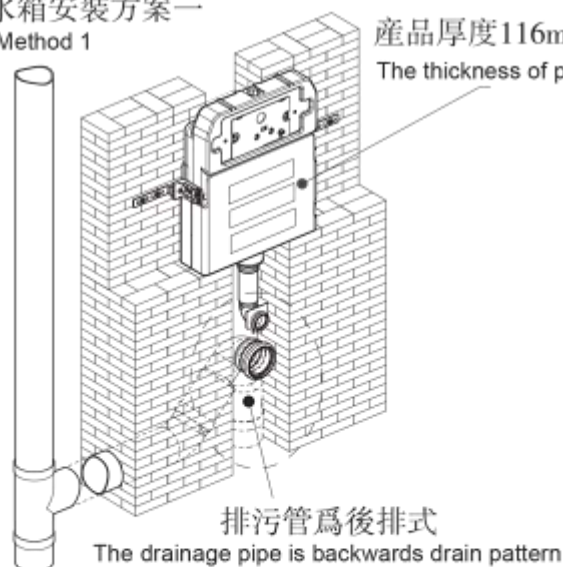
根據裝修設計的需要、水箱上掛耳的位置朝向選擇方案一或方案二的安裝方案。

Choose installing method 1 or 2 according to request of fitment design and the direction of side notching position on the tank.

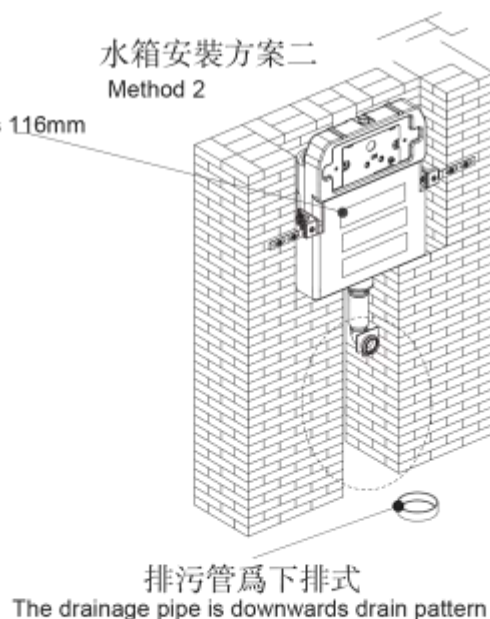
⚠ 注意：水箱安裝方案一中，水箱背靠的安裝牆同安裝固定水箱掛耳的安裝牆必須保證在同一平面上，若不在同一平面上，會造成受力不均，導致箱體側面卡扣處破裂漏水。

Please confirm method 1, the main wall for tank installation must be on the same level, otherwise the tank would be break and leaking.

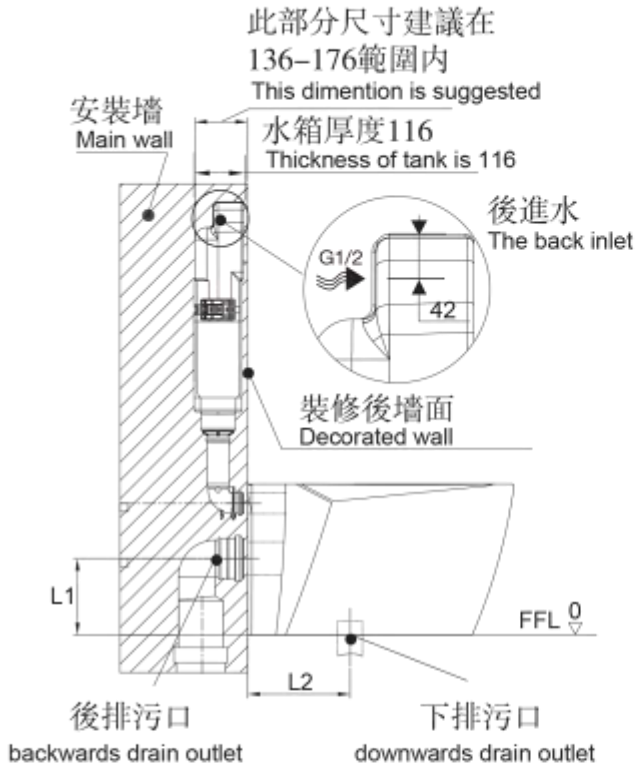
水箱安裝方案一  
Method 1



水箱安裝方案二  
Method 2



2 側面圖 Side elevation



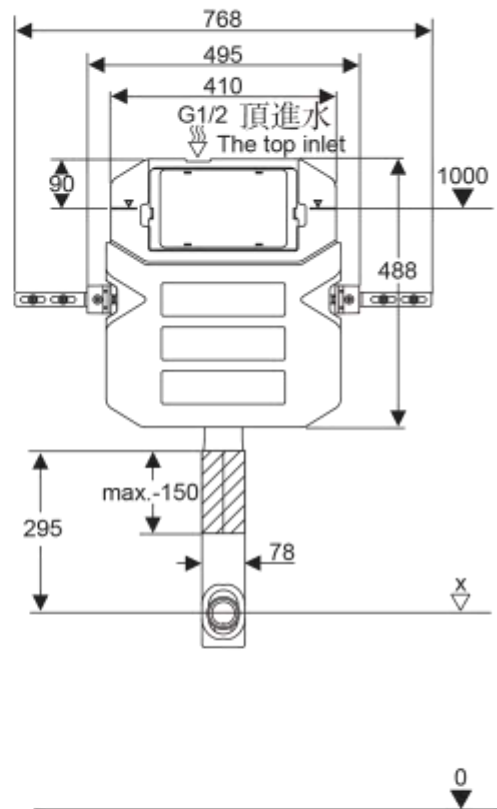
後排式：L1尺寸排污口中心到FFL距離,請客戶根據便器的實際尺寸調整,具體請參照便器安裝說明書。

下排式：L2尺寸為下排污口中心到完成牆面的距離,請客戶參照便器安裝說明書,確定L2尺寸。

Backwards drainage: please adjust the distance of L1 according to the real size of toilet bowl. Please refer to the instruction of toilet bowl installation.

Downwards drainage: please make sure the size of L2 according to the instruction of toilet bowl installation.

3 主視圖 Main view



## 二、安裝步驟

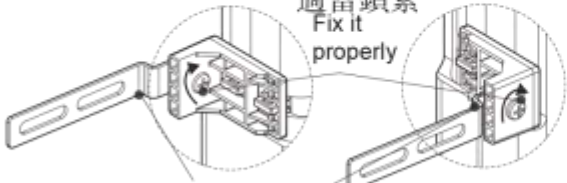
The Installation Manual:

1 根據掛耳的不同位置朝向安裝緊固塊。  
To install the fixing sheet according to the different directions of side notching.

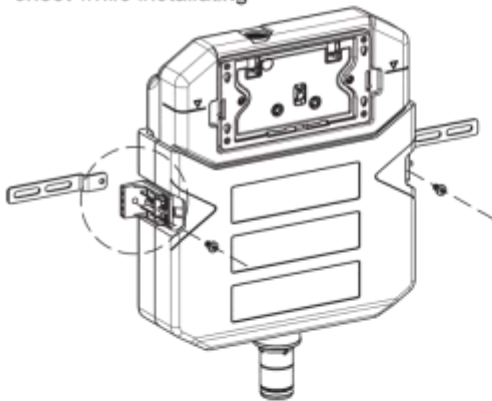
掛耳朝後  
The side notching is fixed backwards

掛耳朝前  
The side notching is fixed frontwards

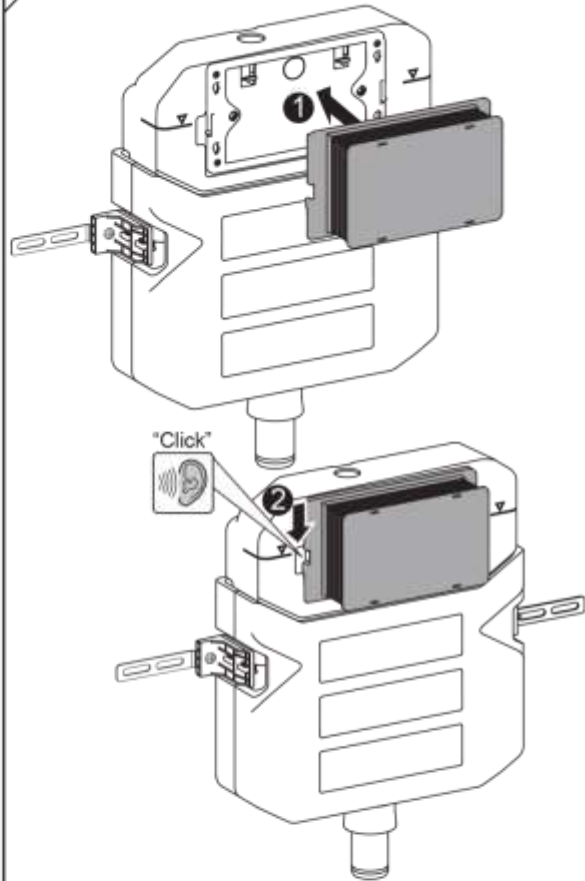
適當鎖緊  
Fix it properly



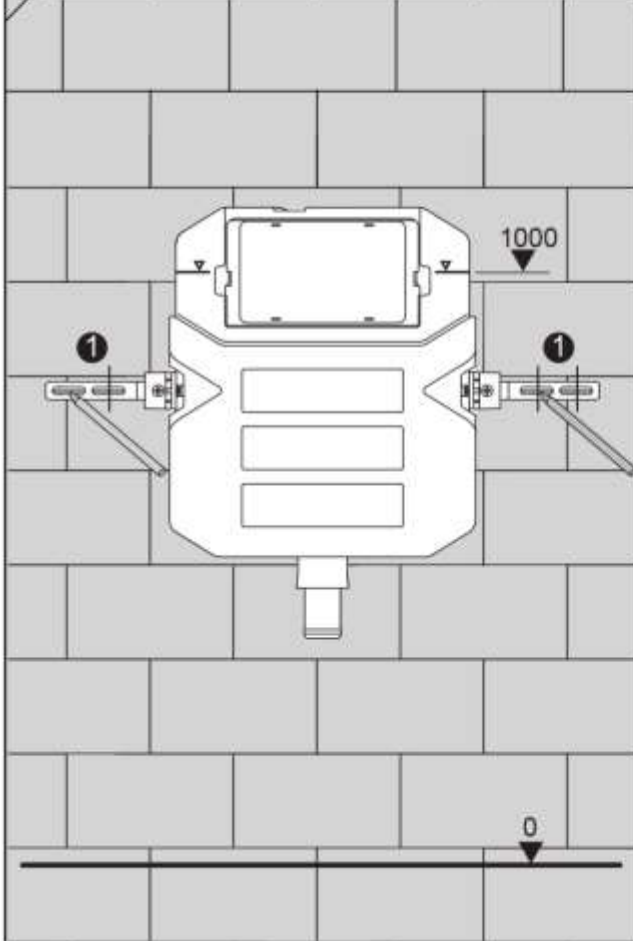
注意安裝時緊固塊方向  
Please pay attention to the direction of fixing sheet while installing



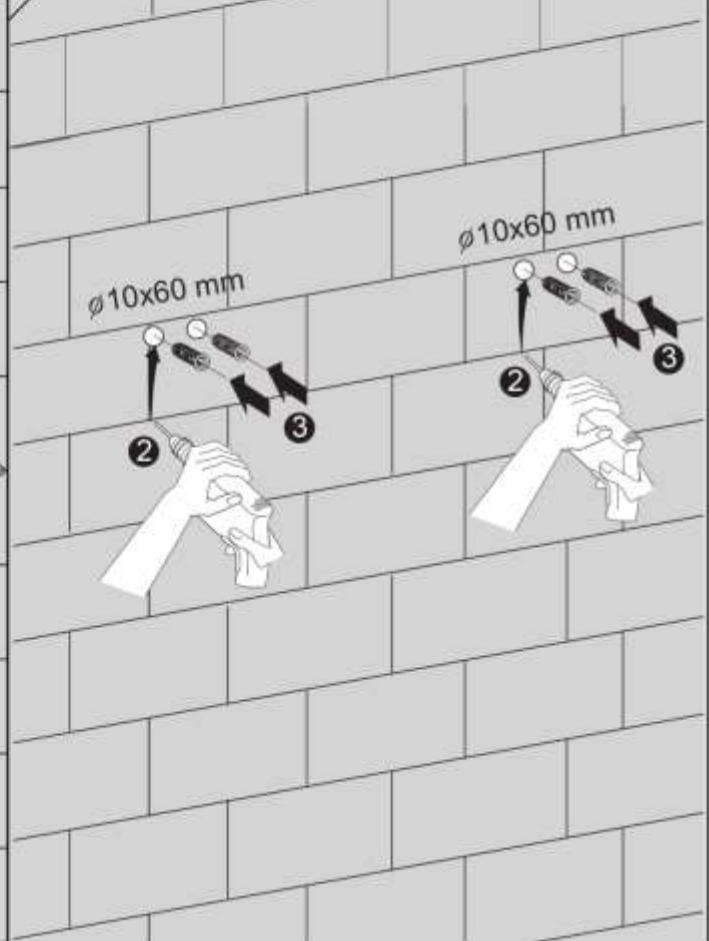
2

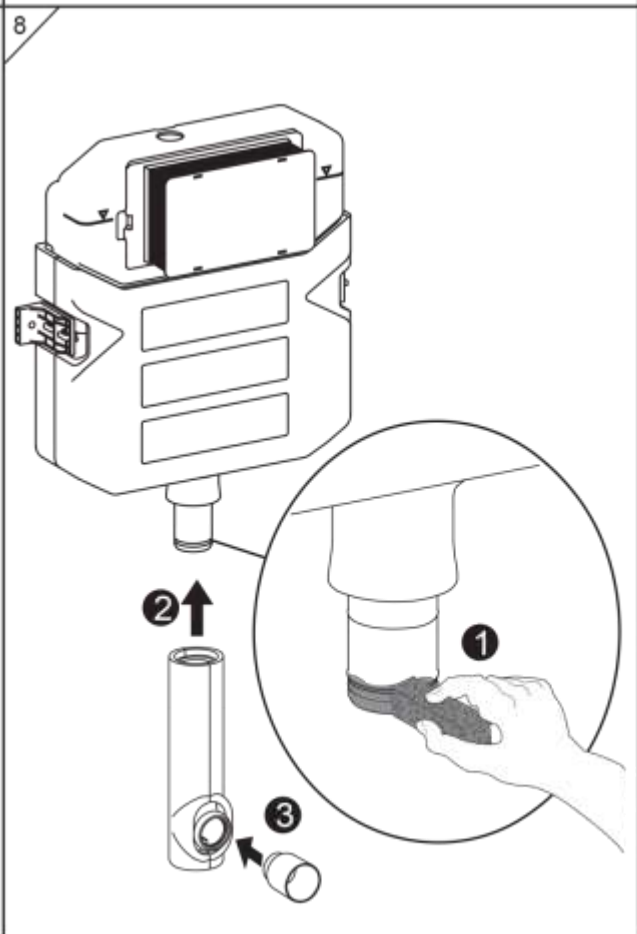
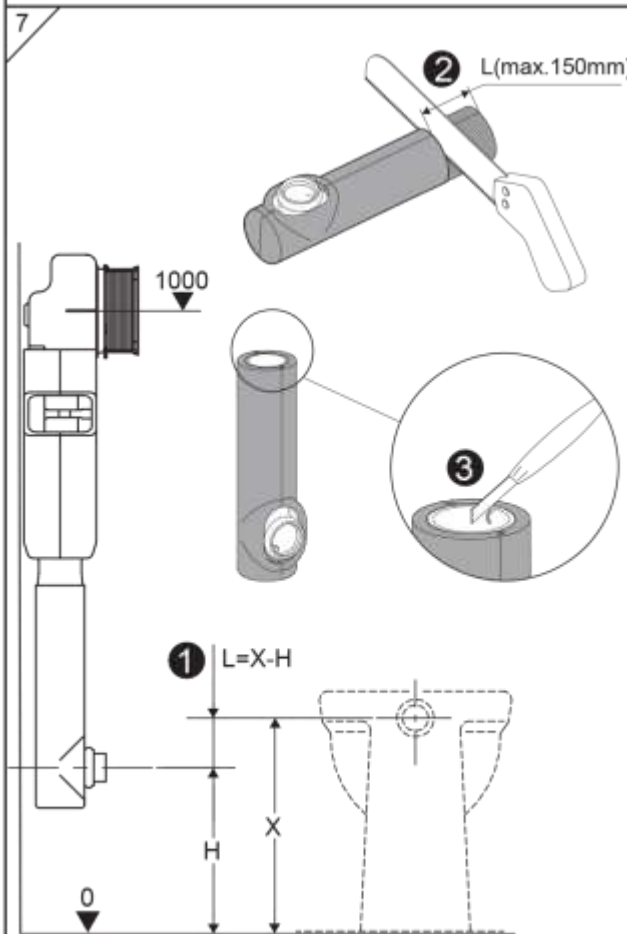
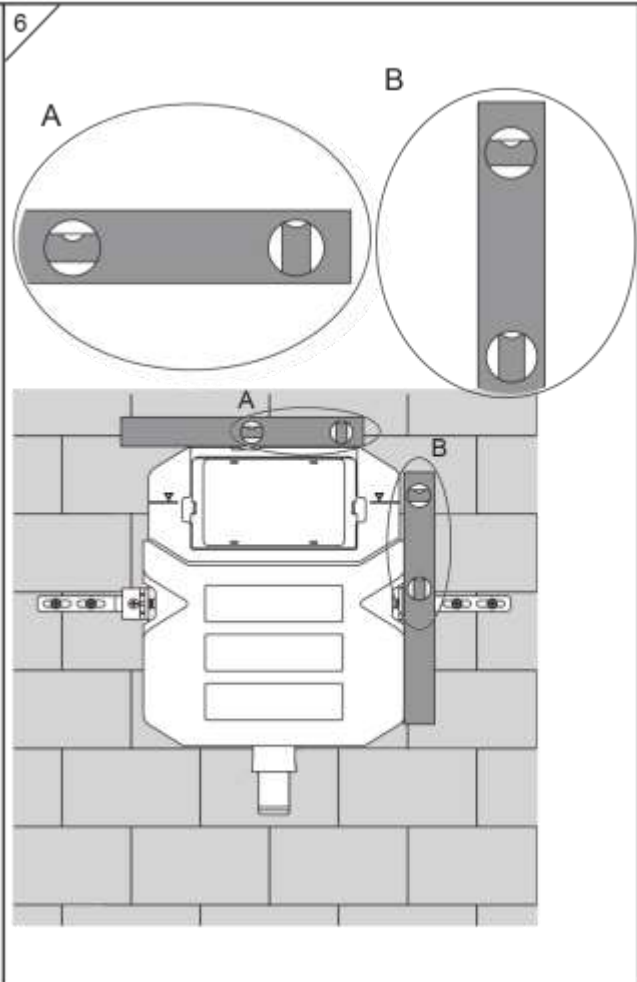
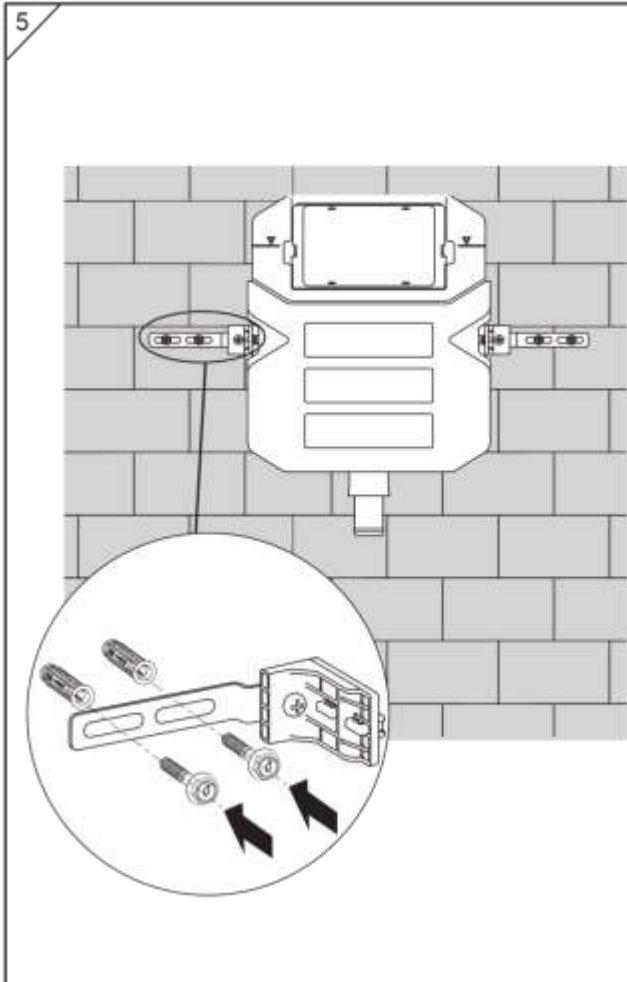


3

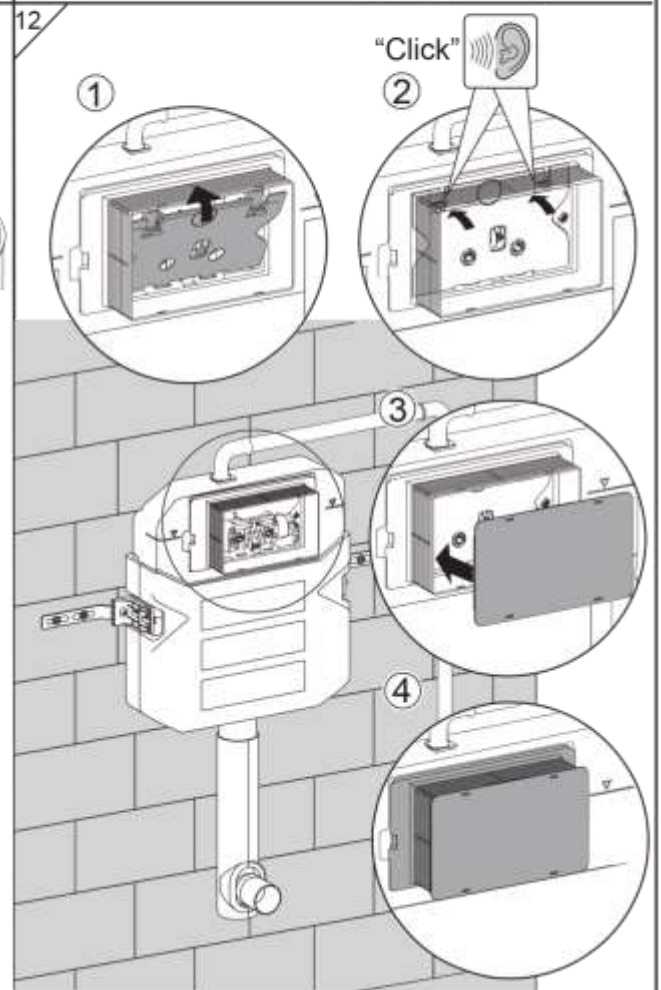
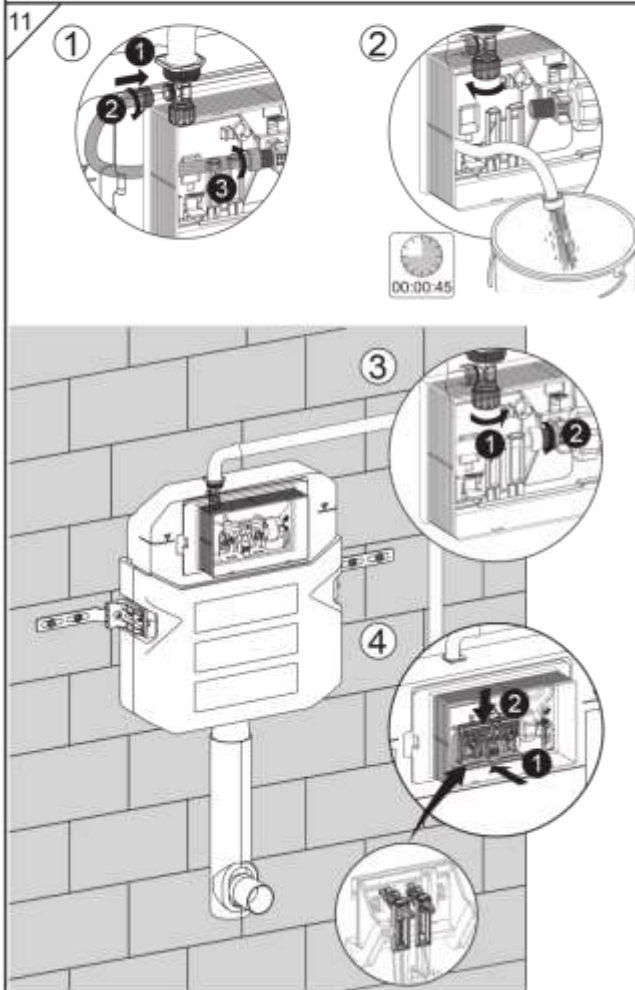
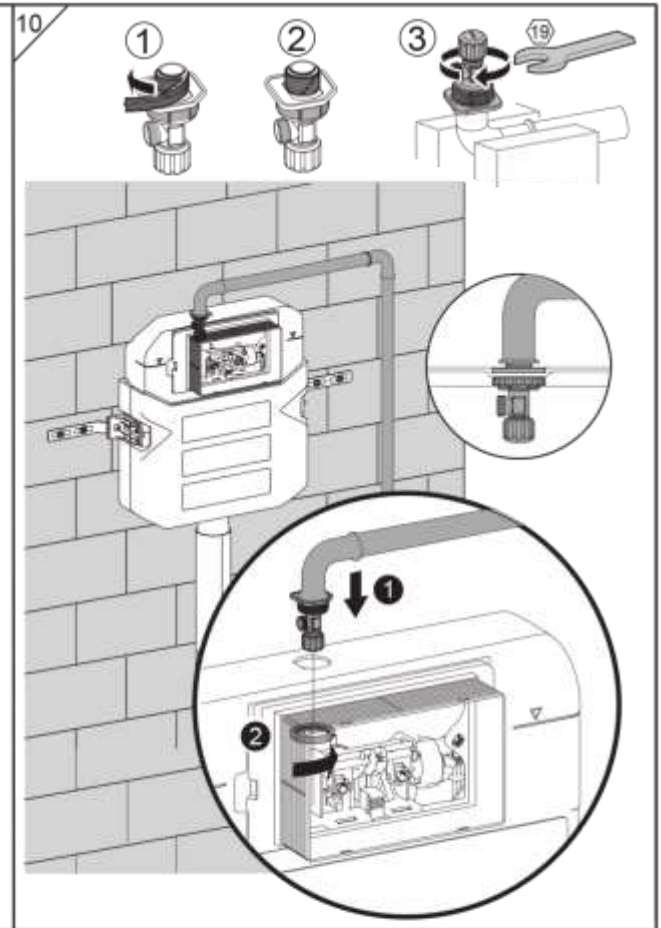
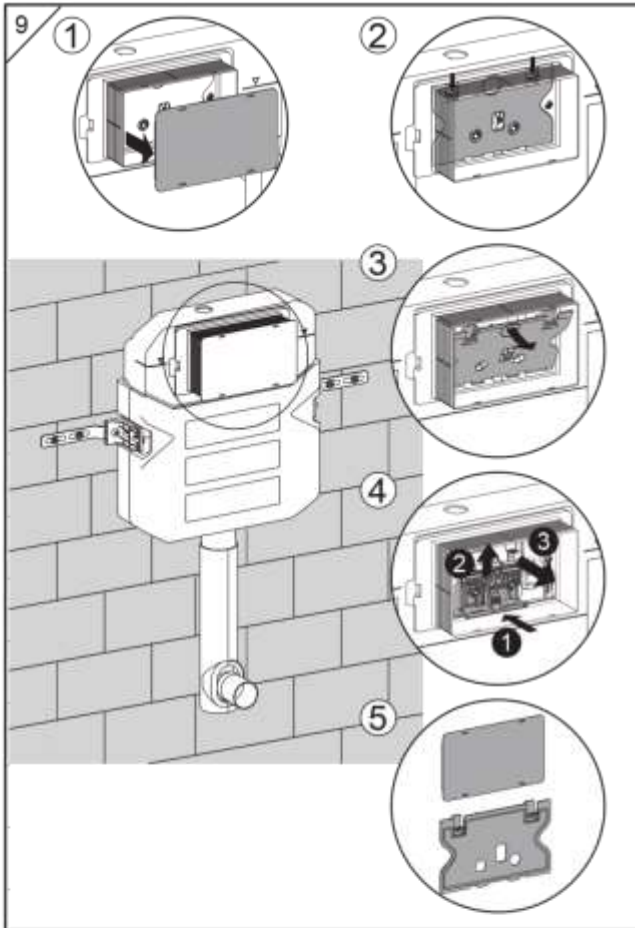


4





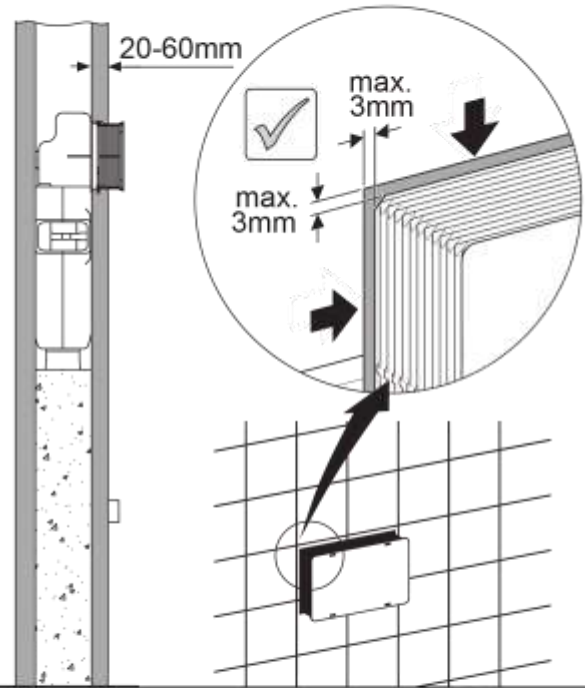




13 ★重要提示：在支架安裝後砌牆前，務必通水并放置12小時以上，檢查是否有滲漏現象。Important remind: When the concealed tank fixed completely, it is important to test leaking with water upon 12 hours before fixing wall.

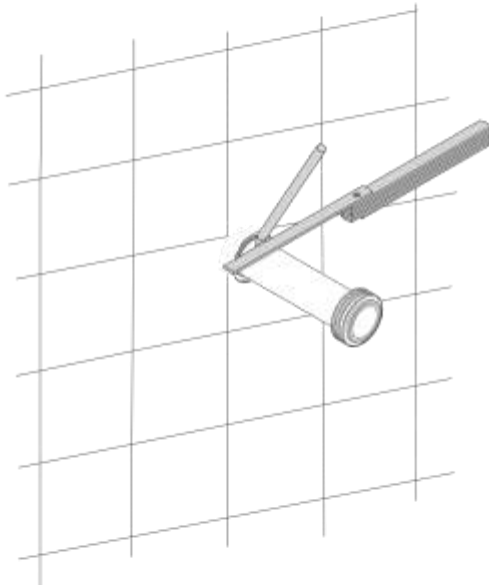


14



三、安裝馬桶： Installation of toilet bowl:

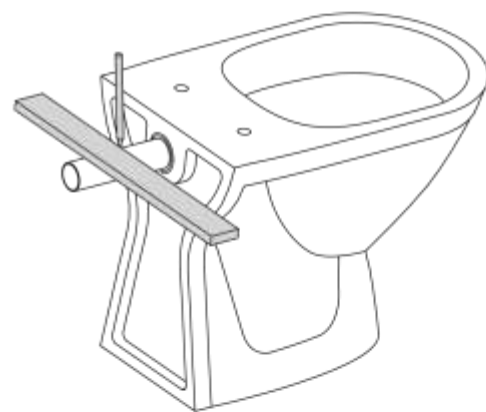
1



取出堵頭杆套，將直管插入彎管，直到不能前進，畫出直管與牆面的交綫。

Extract the plug for curved pipe out, insert the straight flush pipe into the curved drain pipe till the end, and then mark on connecting line of wall and straight flush pipe.

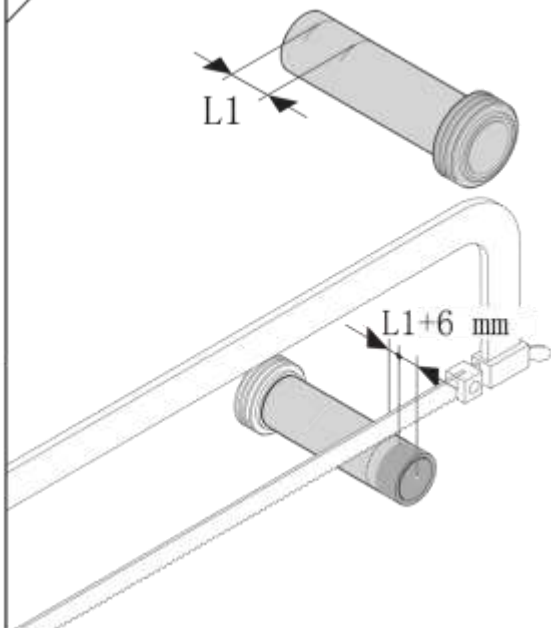
2



將直管插入便器，直到不能前進，畫出直管與便器後端面的交綫。

Insert the straight flush pipe into the toilet bowl till the end, and then mark on the connecting line of straight flush pipe and toilet bowl back-end.

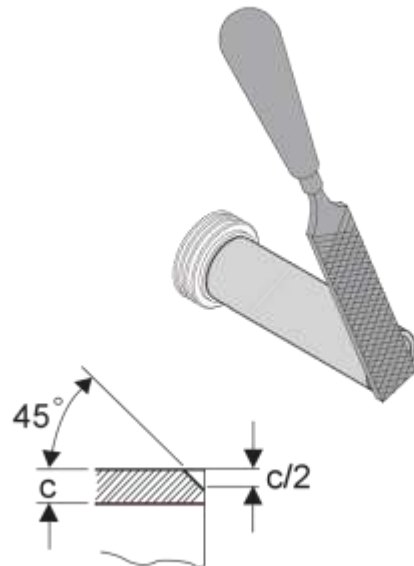
3



前面兩個步驟所畫兩條綫之間的距離為L1，  
鋸斷直管L1+6mm

The distance between lines marked by previous two steps is shown as L1. Cut the straight flush pipe L1+6mm off.

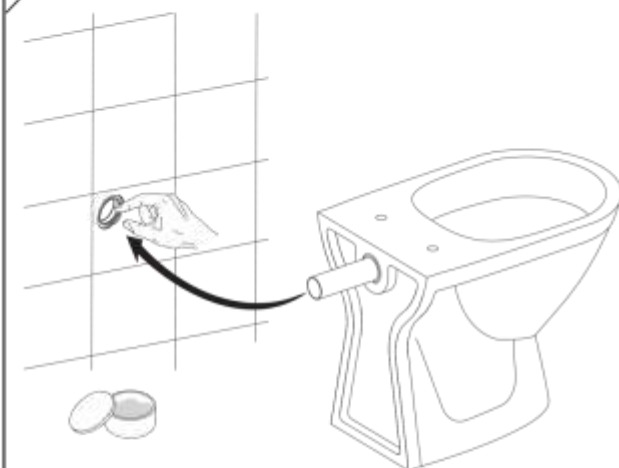
4



將鋸短後的圈口直管按圖示  
外圈銼45° 倒角。

File the edge of pipe at 45° after cutting according to the picture.

5



在直管與彎管的結合處抹上潤滑油(如硅油)  
注：可先將直管插入便器，再根據相配套便器的  
安裝說明書要求安裝便器。

Smear lubrication oil on conjoint area between straight  
flush pipe and curved drain pipe.

**Note:** First install Drain Straight Pipe into Drain  
Bend, then install the toilet bowl according to the  
relevant instructions.

6

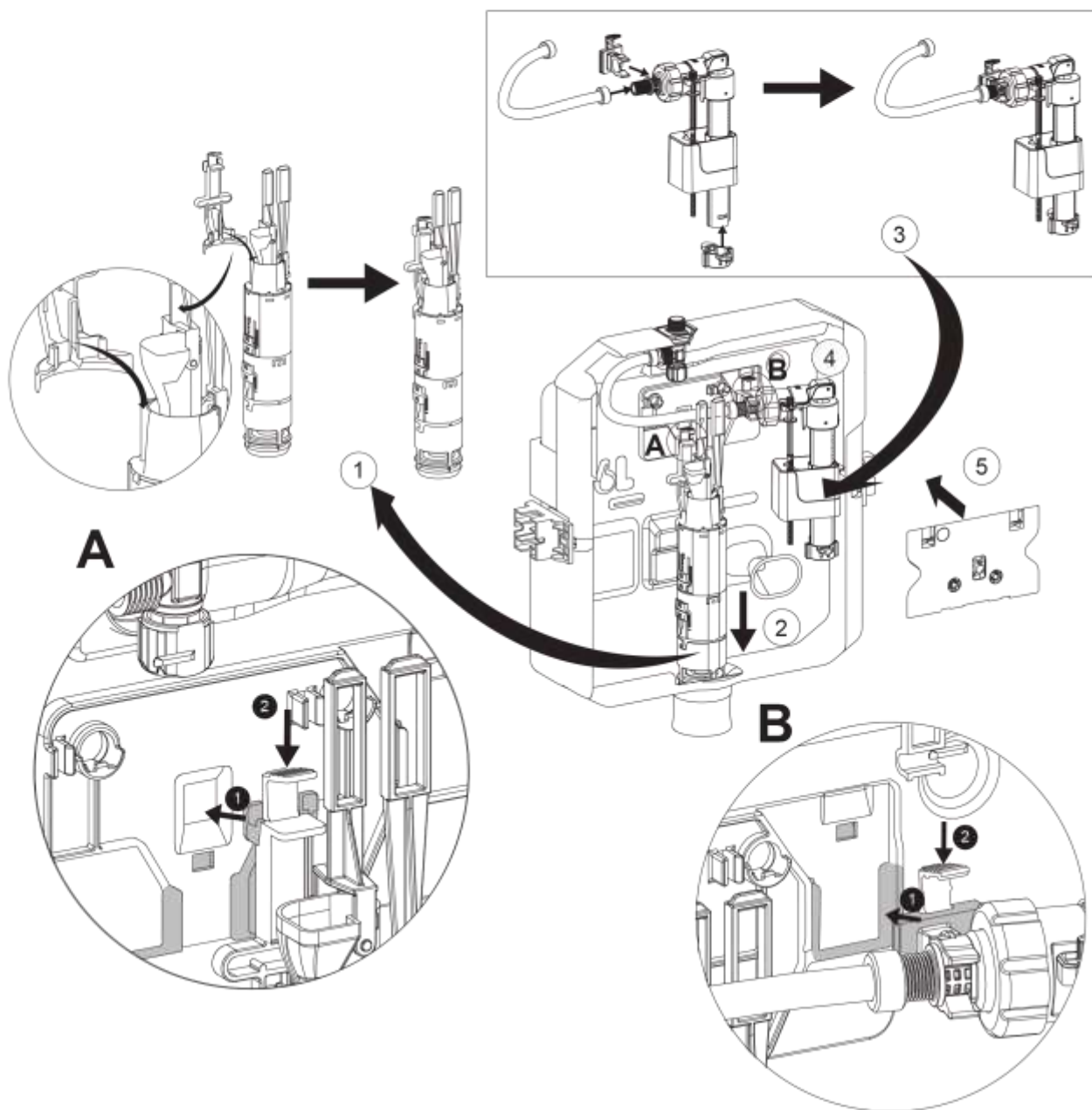


鎖定。

Screw down the toilet bowl.



#### 四、水箱配件安裝圖 Installation of tank fittings



水箱配件出廠時已裝好；以上圖  
示僅供參考。

The tank fittings have been installed before leaving factory.  
The above sketches are only for reference.

所有的資料是按出版時的最新產品資料編寫的，本公司保留在任何時候不需通知便可更改產品的  
特徵、包裝或供應產品的權利。

All data contained is based upon the last product information available at the time of publication. We reserves the right to  
implement changes of product characteristics, packaging and availability at any time without further notice.