

入牆水箱安裝說明書

THE INSTALLING INSTRUCTION FOR CONCEALED TANK.

重要提示:

1. 安裝前請仔細閱讀說明書，本公司不承擔因安裝人員未按說明書要求施工所造成的損失。
2. 在支架安裝前，應先確認安裝位置，並根據室內裝修的總體策劃確定裝修完成後的地坪面FFL，在安裝牆上劃出FFL綫，並始終以此作為高度0的基準綫。
3. 在安裝支架前，請確認所安裝牆壁是承重牆，牆壁厚度在80mm以上，且當400kgf以上的力施加于完工後的馬桶前端時，牆壁應能承受這股拉力。

注:

1. 請在貼瓷磚前安裝本產品，所有的尺寸單位為毫米。
2. 圖示零件若與實物不符，請與實物為準。

Important remind:

1. Please read through this Instructions carefully prior to installation, and this company shall not be responsible for any loss caused by installation not in conformity with this Instructions.
2. Please confirm the FFL according to the overall indoor fitment method. Line out the FFL on the wall and always regard FFL as datum line of 0 height.
3. Please confirm the wall is the main wall, the thickness exceed 80mm and it can bear more than 400kgf strength when the strength act on the front of toilet bowl.

Note:

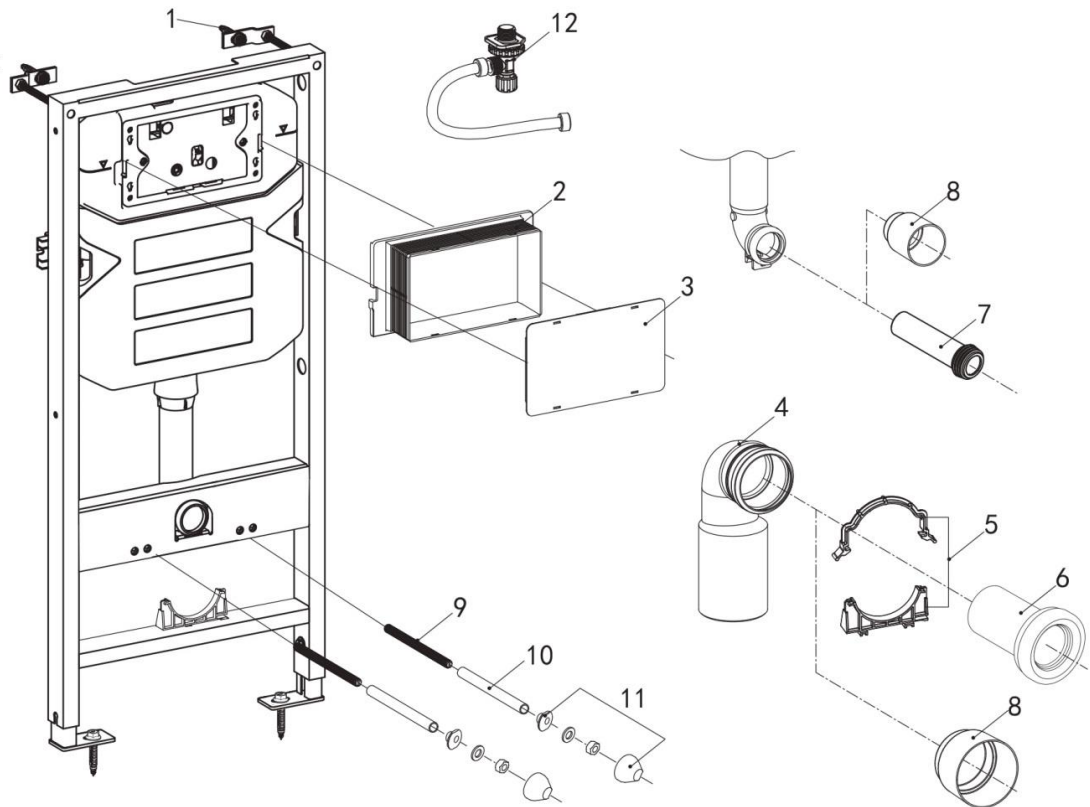
1. Please install the frame before paving the tiles. The dimensional unit is millimeter.
2. Please subject to the object as right if it is not in conformity with the components in picture.

! FFL 0 =完成面地坪.

! FFL 0 =FFL of finish face, all dimension is millimeter

配件一覽表:

Accessories List:

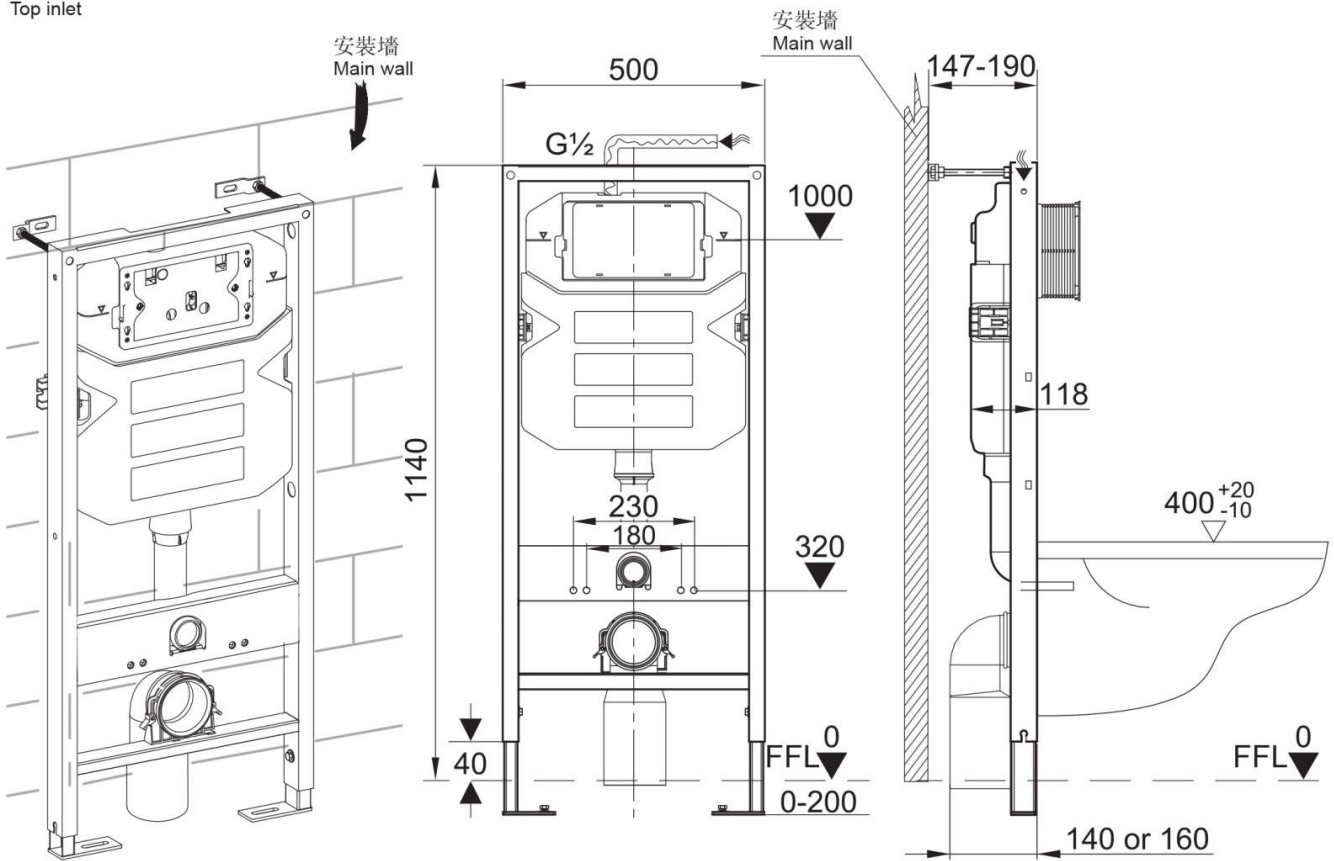


序號 NO.	名稱 NAME	數量 QTY	用途 FUNCTION
1	膨脹螺栓組 Expansion bolt components	4	機架固定用 To fix frame
2	保護框 Protection frame	1	砌牆時為按鈕面板預留空間用 For space reservation of push button plate when building the wall
3	保護蓋 Protection cover	1	防止裝修時雜物進入水箱 To prevent sundries falling into the tank when fitment
4	排污彎管 Drainage pipe	1	連接排污口與排水管 To connect the drainpipe and drain outlet
5	管夾 Clamp	1	固定排污彎管用 To fix drainage pipe
6	排污直管件 Drainage straight pipe components	1	用于便器的聯接及與牆面距離的補償 To connect the bended pipes to toilet bowl
7	衝刷直管件 Flush straight pipe components	1	
8	堵頭 Plug	2	砌牆時為衝刷直管和排水直管預留空間用 To reserve space for straight pipes when laying bricks
9	長螺栓 Long bolt	2	保護長螺栓用 To protect long screw
10	透明桿套 Transparent long bolt shield	2	保護長螺栓用 To shield long bolt
11	固定馬桶零件組 Accessory set for fixing the toilet bowl	2	固定便器用 To fix toilet bowl
12	角閥 Angle valve	1	進水閥開關 On-off For Filling Water

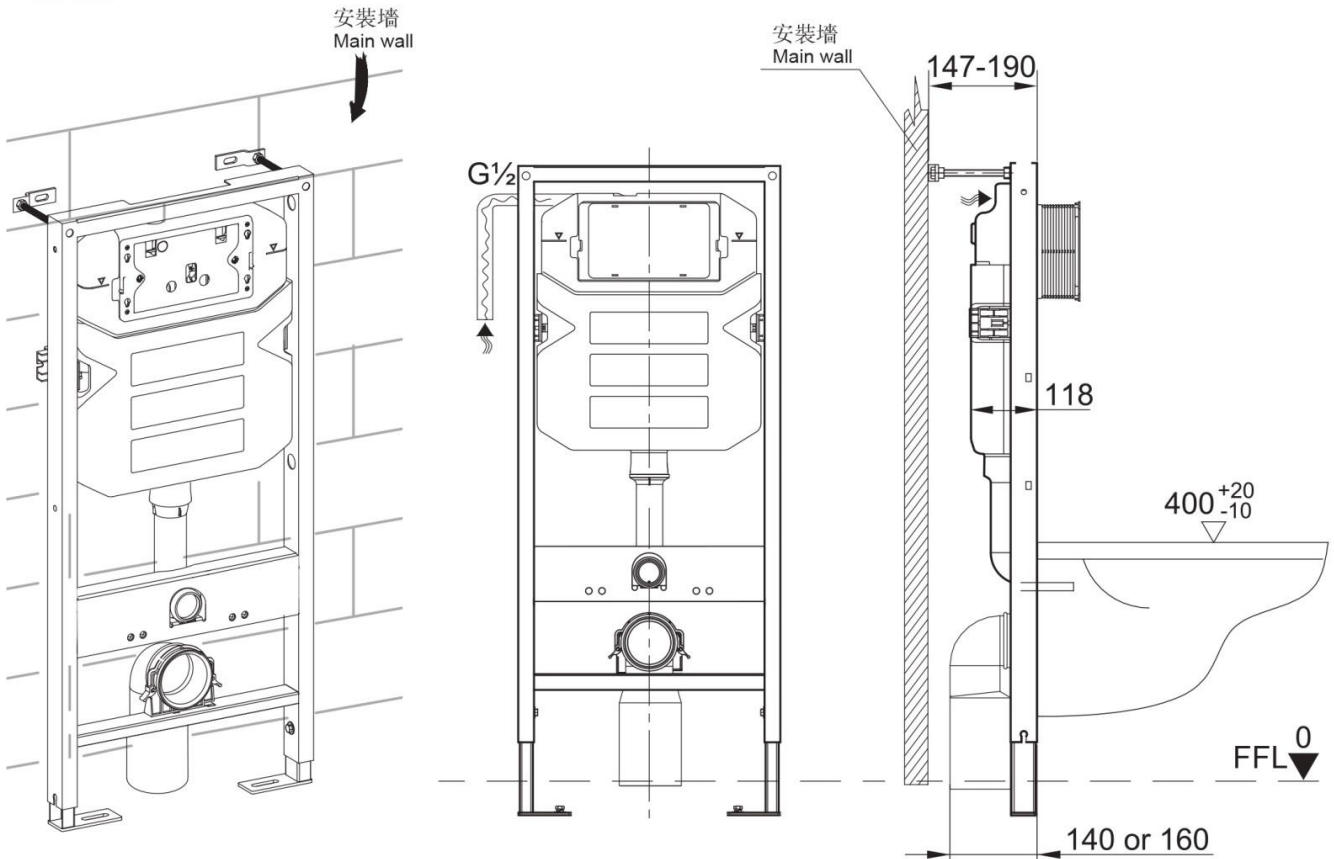
一、基本尺寸及供水管道鋪設

1. Dimensions and Supply Pipe-laying

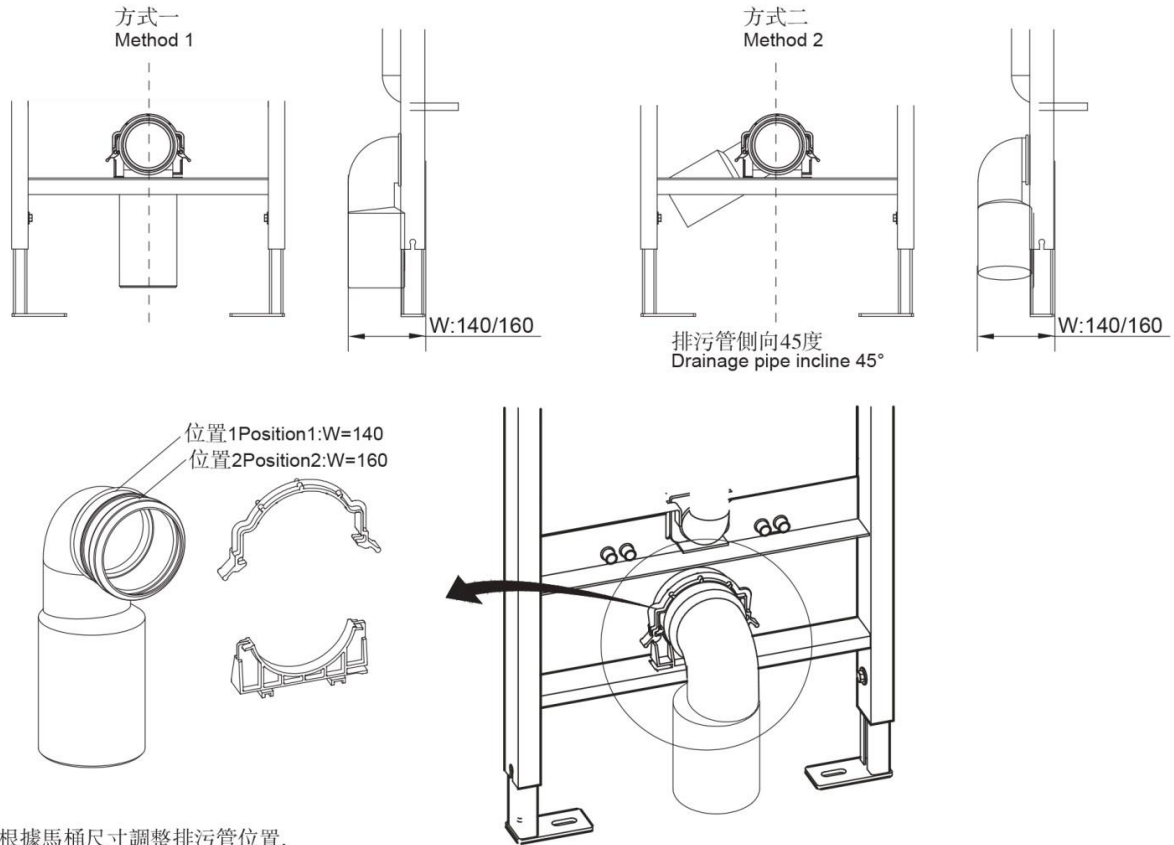
水箱頂孔進水
Top inlet



水箱後孔進水
Back inlet



二、排污管安裝
2. Drainage Pipe Installation



三、在安裝牆及地面畫綫,調節牆腳、地腳
3. Draw on the main wall and floor, Install Wall-fixing bracket and adjust floor-fixing bracket

